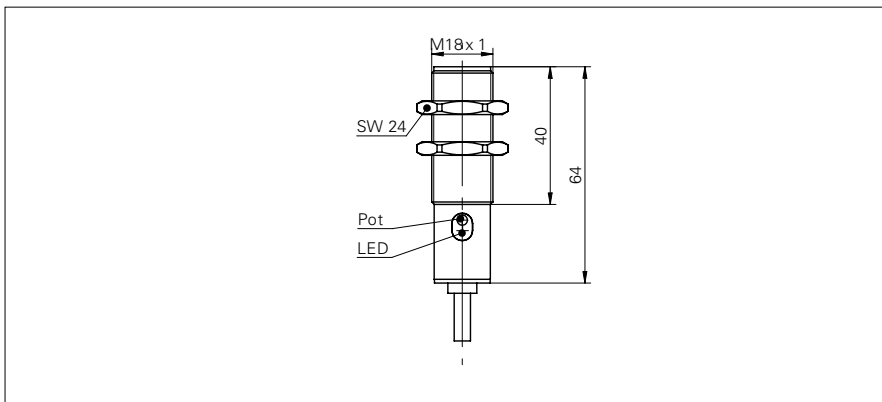


## Capacitive proximity sensors

CFAK 18

## sample drawing



## general data

mounting type	shielded
nominal sensing distance $S_n$	8 mm
nominal sensing distance $S_n$ adjustable	2 ... 8 mm
temperature drift	$\pm 15\%$ (+10 ... +70 °C)
sensitivity adjustment	Pot, 10 turn
output indicator	LED yellow

## electrical data

voltage supply range +Vs	10 ... 30 VDC
current consumption max.	20 mA
output current	< 200 mA
voltage drop Vd	< 1,5 VDC
switching frequency	< 50 Hz
short circuit protection	yes
reverse polarity protection	yes

## mechanical data

type	cylindrical
housing material	PBT
dimension	18 mm
housing length	64 mm
connection types	cable

## ambient conditions

operating temperature	-25 ... +75 °C
protection class	IP 65

## order reference

<b>CFAK 18N1600</b>	NPN make function (NO)
<b>CFAK 18N3600</b>	NPN break function (NC)
<b>CFAK 18P1600</b>	PNP make function (NO)
<b>CFAK 18P3600</b>	PNP break function (NC)

## output circuit

## sample picture

